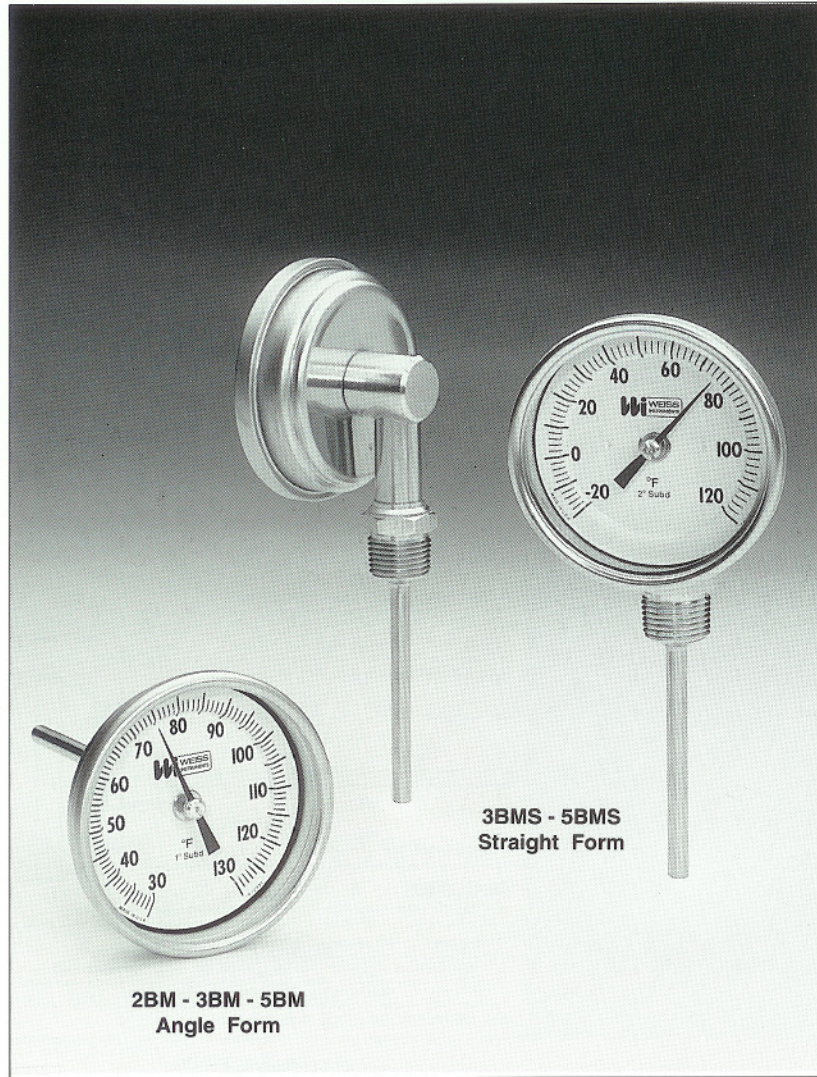


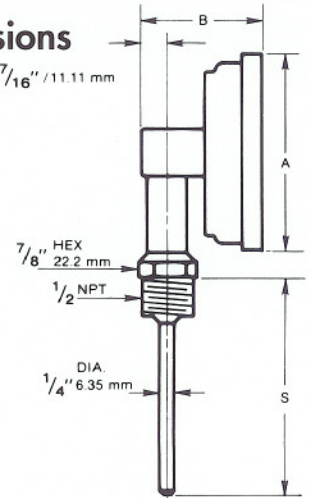
# SERIES BM - BiMetal Dial Thermometers

## MODEL

### 2BM - 3BM - 3BMS - 5BM - 5BMS

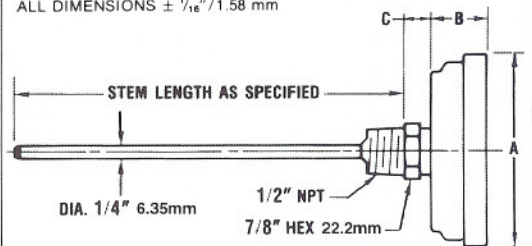


#### Dimensions



DIAL SIZE	A	B	S (stem length)
3"	3 1/4"	1 7/8"	as specified
76.2 mm	82.55 mm	47.62 mm	specified
5"	5 1/4"	1 1/8"	as specified
127 mm	133.35 mm	47.62 mm	specified

ALL DIMENSIONS  $\pm 1/16"$  / 1.58 mm



DIAL SIZE	A	B	C
3"	3 1/4"	1 11/16"	1/4"
76.2 mm	82.55 mm	17.38 mm	6.35 mm
5"	5 1/4"	1 5/8"	7/16"
127 mm	133.35 mm	23.81 mm	11.11 mm

ALL DIMENSIONS  $\pm 1/16"$  / 1.58 mm

#### 2" Dial

Catalog No. 2" Angle	Stem Length (Incl. thread)	NPT
2BM25	2-1/2"	1/4"
2BM4	4"	1/4"
2BM6	6"	1/4"
2BM9	9"	1/4"
2BM12	12"	1/4"
Longer stems lengths available		

#### 3" Dial

Catalog No. 3" Angle - 3" Str.	Stem Length (Incl. thread)	NPT
3BM25 3BMS25	2-1/2"	1/2"
3BM4 3BMS4	4"	1/2"
3BM6 3BMS6	6"	1/2"
3BM9 3BMS9	9"	1/2"
3BM12 3BMS12	12"	1/2"
Longer stem lengths available		

#### 5" Dial

Catalog No. 5" Angle - 5" Str.	Stem Length (Incl. thread)	NPT
5BM25 5BMS25	2-1/2"	1/2"
5BM4 5BMS4	4"	1/2"
5BM6 5BMS6	6"	1/2"
5BM9 5BMS9	9"	1/2"
5BM12 5BMS12	12"	1/2"
Longer stem lengths available		