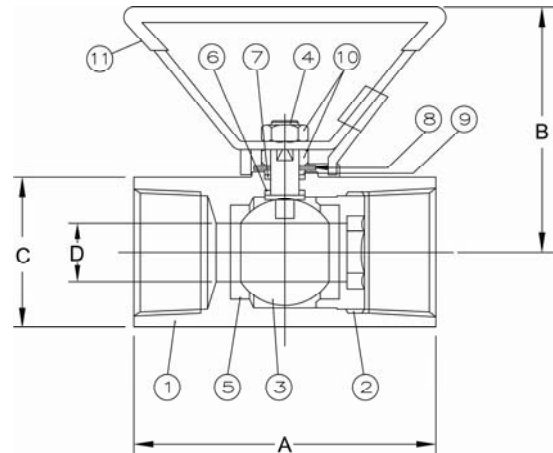


BALL VALVES

One Piece – Model B160K

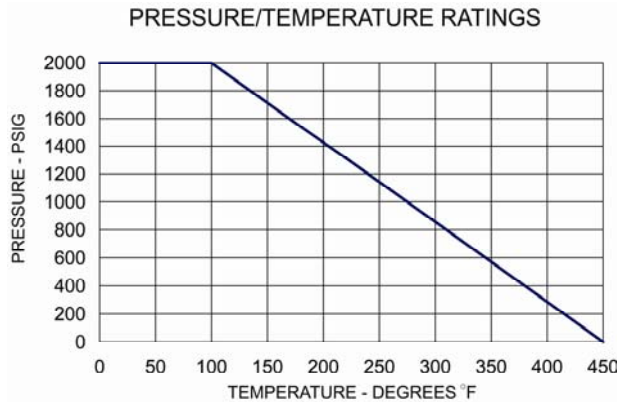


FEATURES

- Economical high pressure steam isolation valve
- Locking oval handle
- Blow-out proof stem

RATINGS

PMO (maximum operating pressure): 250 psi @ 406°F
2000 psi @ 100°F



MATERIALS

PART	DESCRIPTION
(1) Body	A216-WCB
(2) Spacer	A216-WCB
(3) Ball	316 Stainless Steel
(4) Stem	316 Stainless Steel
(5) Seat	Polycarbon
(6) Stem Seal	Polycarbon
(7) Thrust Washer	Grafoil
(8) Bell Washer	W1-8 CS(SK5)
(9) Gland	304 Stainless Steel
(10) Nut	304 Stainless Steel / A283 C. Steel
(11) Handle	304 Stainless Steel / A283 C. Steel

DIMENSIONS

SIZE		A		B		C		D		Weight		Torque	Cv *
mm	in	mm	in	mm	in	mm	in	mm	in	kg	lbs	In. Lbs.	
8	1/4	58	2.28	72	2.84	25	1.00	9	0.35	0.3	0.66	50	1
10	3/8	58	2.28	72	2.84	25	1.00	9	0.35	0.31	0.68	50	2.5
15	1/2	67	2.63	72	2.84	25	1.00	9	0.35	0.34	0.75	100	5.5
20	3/4	73	2.88	72.5	2.86	33.25	1.31	12	0.47	0.44	0.95	120	10
25	1	79.5	3.13	81	3.19	39.5	1.56	15.75	0.62	0.90	2.00	130	15.5
32	1-1/4	89	3.50	81.5	3.21	49	1.93	20.5	0.81	1.02	2.25	245	20
40	1-1/2	98.5	3.88	94.25	3.71	57	2.25	25	1.00	1.60	3.50	365	37
50	2	108	4.25	99.25	3.91	68.25	2.69	32	1.25	2.27	5.00	590	60

* Cv is defined as the gallons per minute of water that will flow through a given valve opening with a pressure drop of one (1) psi.

Colton has a policy of continuous product research and improvement and reserves the right to change design and specifications without notice



Tel: 1-888-300-9155 Fax: 1-888-300-9160 www.COLTONIND.com info@coltonind.com