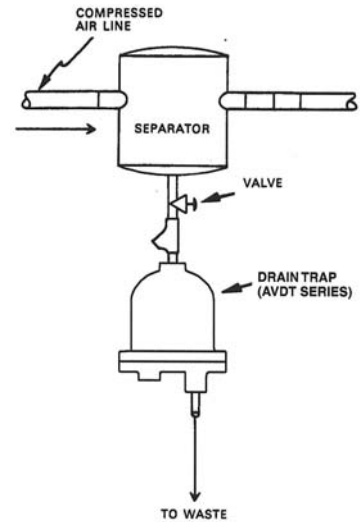
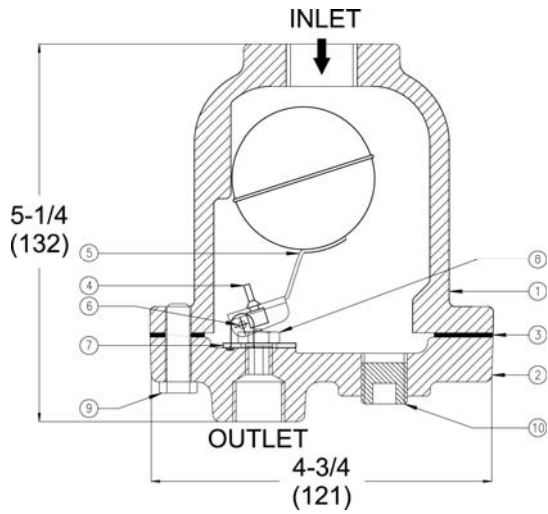


# DRAIN TRAPS FOR GASEOUS SYSTEMS – AVDT Series



## FEATURES

- Continuous discharge of liquids, with specific gravities greater than 0.7, allowing for full drainage of the gaseous system.
- The plugged 1/2" connection in the cover can be outfitted with a full bore ball valve to allow for manual by-pass or blow-down.

## RATINGS

PMO: (maximum operating pressure): See below chart  
 TMO: (maximum operating temperature): 338°F  
 (For higher operating temperatures, contact factory)

## CONNECTION SIZES

- Inlet: 1/2", 3/4" or 1" (3/4" is standard)
- Outlet: 1/2" only

## MATERIALS

| Part                  | Description               |
|-----------------------|---------------------------|
| (1) Body              | Cast Iron – A126, Class B |
| (2) Cover             | Cast Iron – A126, Class B |
| (3) Gasket            | Non Asbestos Fiber        |
| (4) Valve Pin         | Viton                     |
| (5) Float Lever Ass'y | Stainless Steel, AISI 304 |
| (6) Bracket Pin       | Stainless Steel, AISI 304 |
| (7) Bracket           | Stainless Steel, AISI 304 |
| (8) Valve Seat        | Stainless Steel, AISI 304 |
| (9) Bolts             | Carbon Steel              |
| (10) Plug (1/2")      | Carbon Steel              |

## CAPACITY (Discharge to atmosphere) in pounds per hour of water

| Model    | Orifice |      | 25 psi  | 50 psi  | 75 psi  | 100 psi | 125 psi | 150 psi  | 200 psi  | 300 psi  | Weight |     |
|----------|---------|------|---------|---------|---------|---------|---------|----------|----------|----------|--------|-----|
|          | mm      | in   | 172 kPa | 345 kPa | 517 kPa | 690 kPa | 862 kPa | 1034 kPa | 1379 kPa | 2068 kPa | kg     | lbs |
| AVDT-150 | 1.6     | 1/16 | 585     | 620     | 655     | 690     | 725     | 760      | —        | —        | 2.5    | 5.5 |
| AVDT-300 | 1.19    | 3/64 | 410     | 435     | 460     | 485     | 510     | 535      | 590      | 630      | 2.7    | 6.0 |

Colton has a policy of continuous product research and improvement and reserves the right to change design and specifications without notice.

