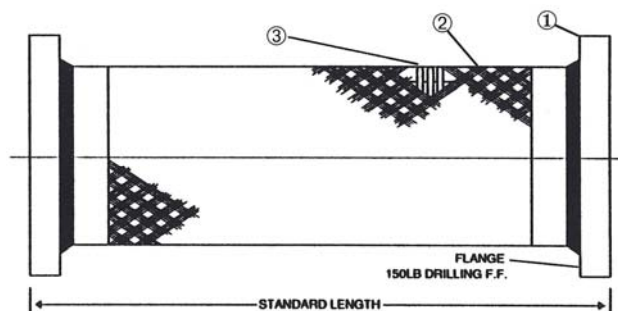


FLEXIBLE CONNECTORS FLANGED – PCSSF series



Model PCSSF (Carbon Steel Ends)
Model PCSSF (Stainless Steel Ends)



FEATURES

Flanged flexible connectors are used for connecting pipes and equipment where flanged ends are preferred. They are recommended to compensate for vibration, thermal growth, motion, misalignment, pressure stress and noise reduction in piping. Applicable fluids include water, sea water, steam, acids alkalies, oils, etc...

STANDARD MATERIALS

Part	Description
(1) Flange	150#FF carbon steel (stainless steel optional)
(2) Braid	Stainless Steel
(3) Hose	Stainless Steel Corrugated

DIMENSIONS, WEIGHTS AND PRESSURE & TEMPERATURE RATINGS (MODEL PCSSF-12)

Size		Standard Length		Live Length		Optional Length		Weight		Pressure @ 70°F		Pressure @ 250°F	
mm	in	mm	in	mm	in	mm	in	kg	lbs	kPa	psi	kPa	psi
50	2	300	12	220	8-3/4			5.45	12	1206	175	1103	160
65	2-1/2	300	12	220	8-3/4			5.9	13	1206	175	1103	160
80	3	300	12	220	8-3/4			6.8	15	1206	175	1103	160
100	4	300	12	220	8-3/4			9.1	20	1206	175	1103	160
125	5	300	12	215	8-1/2			13	28	1206	175	1103	160
150	6	300	12	215	8-1/2			15	33	1137	165	1034	150
200	8	300	12	200	8			26	58	1137	165	1034	150
250	10	325	13	225	9			34	75	1137	165	1034	150
300	12	350	14	250	10			48	105	1068	155	965	140
350	14	350	14	250	10			68	150	1034	150	896	130
400	16	350	14	250	10			84	185	792	115	723	105
450	18	375	15	275	11			95	210	792	115	723	105

** Higher pressure and temperature ratings are available. Please consult factory.

ORDERING CODES

	SERIES	CONSTRUCTION	ENDS CONSTRUCTION	END CONNECTION TYPE	-	OVERALL LENGTH
	PC	S	S	F	-	12
Example:	PC – Pump Connector	S – Stainless Steel Hose & Braid	S – Steel SS – 304 Stainless Steel SS6 – 316 Stainless Steel	F – 150#FF flanges F150 – ANSI 150#RF flanges F300 – ANSI 300#RF flanges BW – Butt-Weld	-	Overall Length In Inches

Colton has a policy of continuous product research and improvement and reserves the right to change design and specifications without notice



Tel: 1-888-300-9155 Fax: 1-888-300-9160 www.COLTONIND.com info@coltonind.com