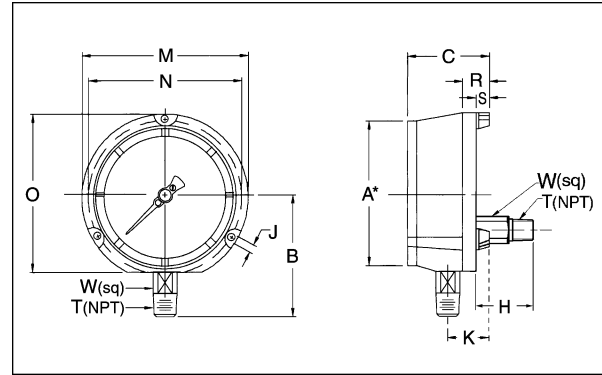


**SOCKET** - AISI 316 Stainless Steel  
**BOURDON TUBE** - AISI 316 S.S. C Tube to 1000 psi, Coiled Tube 1500 psi to 30,000 psi  
**CONNECTING JOINTS** - Welded  
**MOVEMENT** - Bushed Stainless Steel Rotary  
**DIAL** - White Aluminum, Black Markings  
**POINTER** - Black Aluminum, Micrometer Adjustable  
**CASE** - Black Impact Resistant Phenolic  
**RING** - Reinforced Polypropylene  
**WINDOW** - Acrylic  
**GASKETS** - Buna N  
**ACCURACY** - 0.5% ASME B40.1 Grade 2A  
**CONNECTIONS** - 1/4" or 1/2"NPT Lower and  
**CASE** - Solid front construction with rear blow-out back plate



	A*	B	C	H	J	K	M	N	O	R	S	NPT	W
mm	114	103 <sup>1</sup>	82	48.5 <sup>1</sup>	6.0	38	148	136.5	141	25	12.5	—	22
in	4.5	4.06 <sup>1</sup>	3.23	1.9 <sup>1</sup>	0.24	1.50	5.83	5.37	5.55	0.98	0.49	1/2"	0.87

A\* - Nominal Size. 1- Gauges with 1/4" NPT connection – dimension changes to 97mm (3.81in.).

QTY.	CAT. NO.	DIAL DIA.	CONN.	RANGE	TAG
	NF4UGY-2	4 1/2"			
	NF4UGY-2	4 1/2"			
	NF4UGY-2	4 1/2"			
	NF4UGY-2	4 1/2"			

**PRESSURE—SINGLE SCALES (PSI)**

Range	Graduations	
	minor graduation	figure interval
0-15	0.1	1
0-30	0.2	5
0-60	0.5	5
0-100	1	10
0-160	1	20
0-200	2	20
0-300	2	50
0-400	5	50
0-600	5	50

**COMPOUND—SINGLE SCALE RANGES**

Range	Graduations			
	minor graduation	graduation	figure	interval
	Inch Hg	PSI	Inch Hg	PSI
30-0-15	0.5	0.2	5	3
30-0-30	1	0.5	10	5
30-0-60	1	1	10	10
30-0-100	2	1	10	10
30-0-150	5	2	10	20
30-0-300	5	2	30	25

**VACUUM—SINGLE SCALES**

Range	Graduations	
	minor graduation	figure interval
Inch Hg 30-0	0.2	5

All Dial Ranges available in Dual Scale - psi/kPa.

CUSTOMER \_\_\_\_\_  
 PROJECT \_\_\_\_\_  
 ENGINEER \_\_\_\_\_  
 PRO or P.O. NO. \_\_\_\_\_



WEISS INSTRUMENTS, INC.  
HOLTSVILLE, NEW YORK 11742

DESCRIPTION:

**4 1/2" Process Pressure Gauge**  
Series NF4UGY2 - Dry Construction

DRAWN BY: \_\_\_\_\_ DATE: \_\_\_\_\_ DRAWING: \_\_\_\_\_