

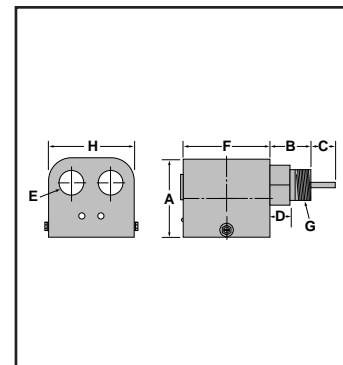
## Low Water Cut-Offs – Electronic For Hot Water Boilers

### RB-122



#### Low Water Cut-Offs

- For residential and (where codes allow) commercial applications
- Electronic operation
- Easy to install and wire
- Red low water indicating LED
- Green power indicating LED
- Automatic reset
- No blow down required
- 15,000 ohms probe sensitivity
- Maximum ambient temperature 120°F (49°C)
- Maximum water temperature 250°F (121°C)
- Maximum water pressure 160 psi (11.2 kg/cm<sup>2</sup>)



BOILER CONTROLS

#### Electrical Ratings

| Voltage | Power Consumption | Load Switching   |
|---------|-------------------|------------------|
| 120 VAC | 15 VA             | 5.8 A at 120 VAC |

#### Dimensions, in. (mm)

| A                                  | B                                  | C                                  | D        | E        | F                                   | G<br>NPT | H                                   |
|------------------------------------|------------------------------------|------------------------------------|----------|----------|-------------------------------------|----------|-------------------------------------|
| 2 <sup>3</sup> / <sub>4</sub> (70) | 1 <sup>5</sup> / <sub>8</sub> (51) | 1 <sup>3</sup> / <sub>8</sub> (35) | 3/4 (20) | 7/8 (22) | 3 <sup>7</sup> / <sub>16</sub> (87) | 3/4      | 3 <sup>3</sup> / <sub>16</sub> (81) |

#### Ordering Information

| Model Number | Part Number | Description       | Weight lbs. (kg) |
|--------------|-------------|-------------------|------------------|
| RB-122       | 144676      | Low water cut-off | 1.7 (.78)        |