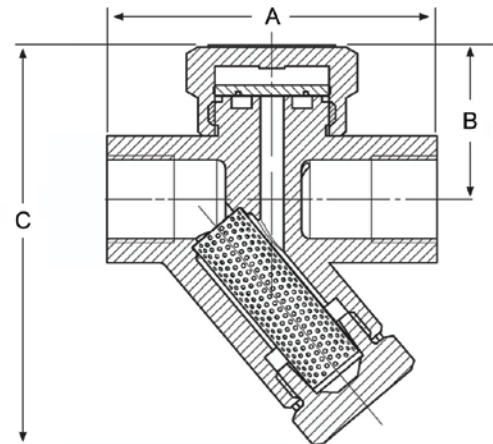
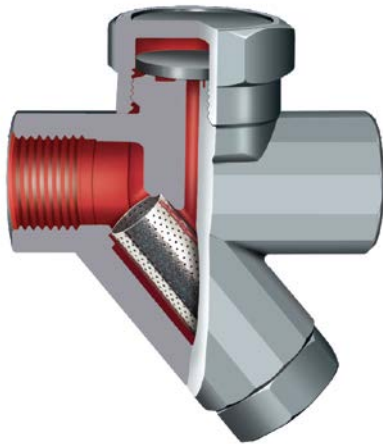


THERMODYNAMIC STEAM TRAPS

CTD-600Y Series



FEATURES

- All stainless steel construction
- Integral strainer
- “Y” pattern body allows for easy removal and cleaning of integral screen when necessary
- Can be installed in any position. Vertical installation ensures the unit to be freeze-proof when discharging to a gravity return or atmosphere

OPTIONAL FEATURES

- Insulation Cover – Reduces the effect of excessive heat loss resulting from low ambient temperatures, wind, rain, etc ...
- Integral Blowdown Valve – To purge loose materials/debris from integral strainer screen

RATINGS

PMO: (maximum operating pressure): 600 psi
 PMA: (maximum allowable pressure): 900 psi
 TMO: (maximum operating temperature): 750°F

MATERIALS

Part	Description
Body	Stainless Steel ASTM A743
Cap	304 Stainless Steel
Screen	304 Stainless Steel
Disc	420 Stainless Steel
Cover	304 Stainless Steel

DIMENSIONS AND WEIGHTS

Size		A		B		C		Weight	
mm	in	mm	in	mm	in	mm	in	kg	lbs
15	1/2	80	3-1/8	44	1-3/4	102	4	1	2-1/4
20	3/4	80	3-1/8	44	1-3/4	102	4	1	2-1/4
25	1	96	3-3/4	50	2	121	4-3/4	2.25	5

CAPACITIES IN POUNDS & KILOGRAMS PER HOUR OF CONDENSATE

Size	69	10	173	25	345	50	690	100	1380	200	3100	450	4140	600
	kpa	psi	kpa	psi	kpa	psi	kpa	psi	kpa	psi	kpa	psi	kpa	psi
1/2"	180	395	280	615	360	790	425	935	525	1157	675	1488	725	1598
3/4"	180	395	280	615	360	790	425	935	525	1157	675	1488	725	1598
1"	275	605	350	770	440	970	510	1125	700	1543	950	2095	1050	2314

Colton has a policy of continuous product research and improvement and reserves the right to change design and specifications without notice.



Tel: 1-888-300-9155 Fax: 1-888-300-9160 www.COLTONIND.com info@coltonind.com