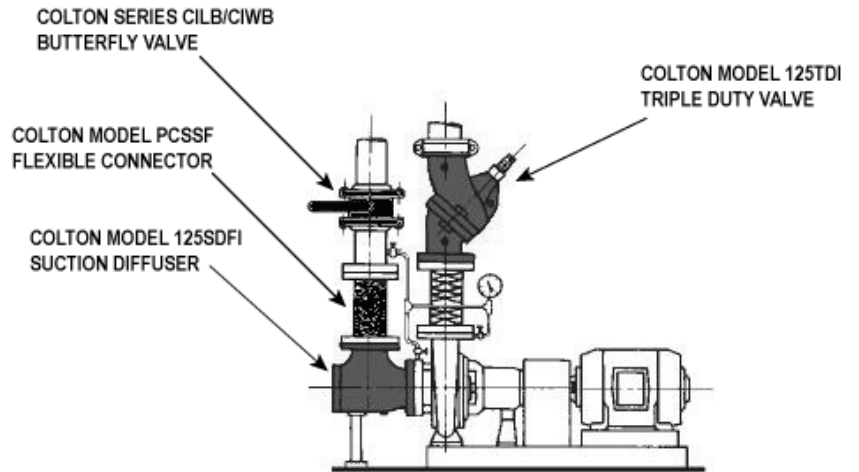


SUCTION DIFFUSERS



Model 125SDFI



FEATURES

- Designed for direct mounting to end suction of horizontal or vertical pumps.
- **Saves Space** – Eliminates the need for typical "Y" strainer and elbow into pump suction
- Integral straightening vanes reduce flow turbulence
- 125# flat face flanges in accordance with ASME B16.1

SCREENS

- 3/64" perforated 304 stainless steel in sizes 2" through 3" and 1/8" perforated 304 stainless steel in sizes 4" through 12".
- All units are supplied with a removable 20 mesh (0.032" hole opening) liner for start-up.
- Optional perforations and screen materials are available upon request.

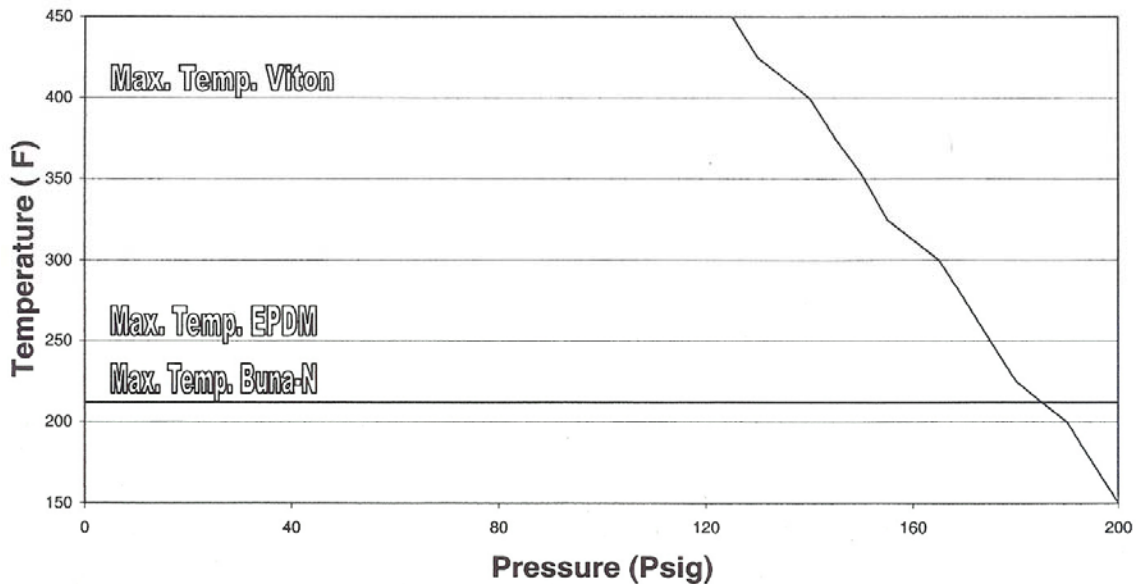
MATERIALS

Part	Description
Body	Cast Iron
Screen	304 Stainless Steel
O-Ring	Buna-N (EPDM or Viton is available upon request)

RATINGS

PMO: (maximum operating pressure)	200 psi @ 150°F
Maximum Allowable Working Temperature:	212°F (Buna-N seal) 250°F (EPDM seal) 400°F (Viton seal)

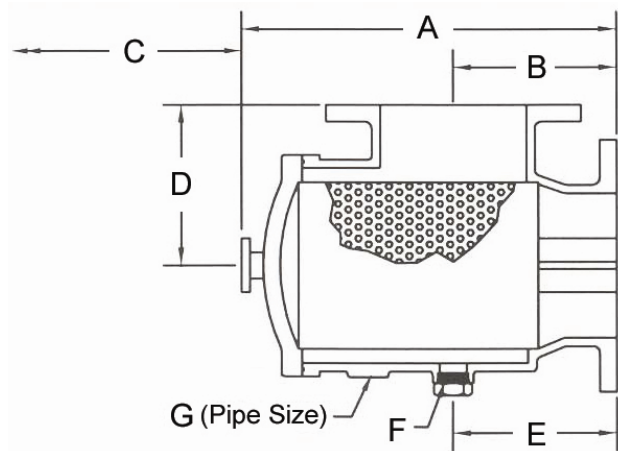
PRESSURE TEMPERATURE CHART



SUCTION DIFFUSERS



Model 125SDFI



DIMENSIONS AND WEIGHTS

Size		A		B		C *		D		E		F		G		Weight	
Inlet	Outlet	mm	in	mm	in	mm	in	mm	in	mm	in	mm	in	mm	in	kg	lbs
2"	1-1/4"	259	10-3/16	114	4-1/2	224	8-13/16	114	4-1/2	156	6-1/8	20	3/4	20	3/4	9	19
2"	1-1/2"	259	10-3/16	114	4-1/2	224	8-13/16	114	4-1/2	156	6-1/8	20	3/4	20	3/4	10	21
2"	2"	260	10-1/4	111	4-3/8	224	8-13/16	114	4-1/2	152	6	20	3/4	20	3/4	11	23
2-1/2"	2"	216	8-1/2	108	4-1/4	121	4-3/4	108	4-1/4	165	6-1/2	15	1/2	25	1	15	32
2-1/2"	2-1/2"	216	8-1/2	108	4-1/4	121	4-3/4	108	4-1/4	165	6-1/2	15	1/2	25	1	16	34
3"	2"	260	10-1/2	108	4-1/4	125	5	140	5-1/2	150	6	20	3/4	25	1	17	37
3"	2-1/2"	210	8-1/4	111	4-3/8	125	5	119	4-3/4	146	5-3/4	20	3/4	25	1	22	49
3"	3"	289	11-3/8	150	6	133	5-1/4	140	5-1/2	181	7-1/8	20	3/4	25	1	25	55
4"	3"	330	13	165	6-1/2	133	5-1/4	165	6-1/2	222	8-3/4	20	3/4	25	1	26	57
4"	4"	330	13	165	6-1/2	133	5-1/4	165	6-1/2	213	8-3/8	20	3/4	32	1-1/4	42	92
5"	4"	283	11-1/8	146	5-3/4	171	6-3/4	168	6-5/8	194	7-5/8	20	3/4	32	1-1/4	44	97
5"	5"	321	12-5/8	165	6-1/2	181	7-1/8	165	6-1/2	219	8-5/8	25	1	32	1-1/4	46	101
6"	4"	330	13	178	7	171	6-3/4	200	8	200	8	20	3/4	32	1-1/4	47	104
6"	5"	432	17	200	8	181	7-1/8	200	8	273	10-3/4	25	1	32	1-1/4	66	145
6"	6"	419	16-1/2	200	8	198	7-7/8	250	10	273	10-3/4	25	1	50	2	83	182
8"	6"	432	17	209	8-1/4	198	7-7/8	229	9	273	10-3/4	25	1	50	2	89	187
8"	8"	533	21	292	11-1/2	413	16-1/4	235	9-1/4	295	11-5/8	25	1	50	2	132	292
10"	8"	527	20-3/4	235	9-1/4	413	16-1/4	286	11-1/4	305	12	25	1	50	2	142	312
10"	10"	660	26	279	11	410	16-1/8	286	11-1/4	349	13-3/4	25	1	50	2	181	398
12"	8"	480	18-7/8	235	9-1/4	413	16-1/4	305	12	295	11-5/8	25	1	50	2	187	412
12"	10"	660	26	279	11	410	16-1/8	305	12	349	13-3/4	25	1	50	2	223	491
12"	12"	660	26	305	12	461	18-1/8	305	12	353	13-7/8	25	1	50	2	260	573

* Dimension "C" denotes the distance required for screen removal

Colton has a policy of continuous product research and improvement and reserves the right to change design and specifications without notice



Tel: 1-888-300-9155 Fax: 1-888-300-9160 www.COLTONIND.com info@coltonind.com