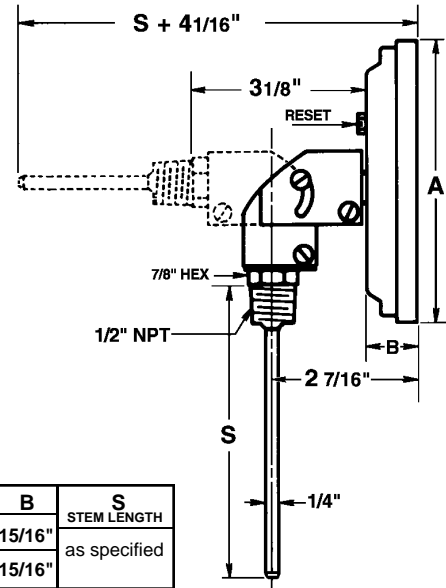


WINDOW - Glass
CASE & RING - 304SS Hermetically Sealed
STEM - Welded Stainless Steel
ACCURACY - 1% Full Scale
EXTERNAL RECALIBRATION



DIAL SIZE	A	B	S
3"	3 1/4"	15/16"	STEM LENGTH
5"	5 1/4"	15/16"	as specified

QTY.	CAT. NO.	DIAL SIZE	STEM LENGTH	RANGE	TAG

3" DIAL		
Catalog No. 3" Vari-angle	Stem Length (incl.thread)	NPT
3VBM25	2 1/2"	1/2"
3VBM4	4"	1/2"
3VBM6	6"	1/2"
3VBM9	9"	1/2"
3VBM12	12"	1/2"
Longer stem lengths available		
NOTE: When ordering Liquid Filled Bimetals add Prefix SF to appropriate Catalog No. EX:SF3VBM4		

5" DIAL		
Catalog No. 5" Vari-angle	Stem Length (incl.thread)	NPT
5VBM25	2 1/2"	1/2"
5VBM4	4"	1/2"
5VBM6	6"	1/2"
5VBM9	9"	1/2"
5VBM12	12"	1/2"
Longer stem lengths available		

FAHRENHEIT	FIG.INTERVAL	SCALE DIV.	CELSIUS	FIG.INTERVAL	SCALE DIV.	DUAL SCALE - F&C	
-80/0/120	20°	2°	-50/0/50	10°	1°	-80/0/120F	-60/0/50C
-20/0/120	20°	2°	**0/50	5°	1/2°	-20/0/120F	-30/0/50C
**30/130	10°	1°	0/100	10°	1°	**30/130F	0/55C
0/200	20°	2°	0/150	10°	1°	0/200F	-15/0/90C
0/250	20°	2°	0/200	20°	2°	0/250F	-20/0/120C
50/300	20°	2°	0/300	50°	2°	50/300F	10/150C
50/400	50°	5°	*0/450	50°	5°	50/400F	10/200C
50/550	50°	5°	**100/550	50°	5°	50/550F	10/260C
*100/800	100°	10°				*100/800F	40/425C
**200/1000	100°	10°				**200/1000F	100/540C

* Satisfactory for continuous service up to 800°F or 425°C. Can be used for intermittent service from 800-1000°F or 425-500°C.
 ** Minimum stem length for these Ranges is 4". ** Minimum stem length is 4" Straight and Vari-angle Form.

CUSTOMER _____
 PROJECT _____
 ENGINEER _____
 PRO or P.O. NO. _____



WEISS INSTRUMENTS, INC.
 HOLTSVILLE, NEW YORK 11742

DESCRIPTION:
3" & 5" Dial Vari-angle® Bimetals
Series 3VBM and 5VBM

DRAWN BY: _____ DATE: _____ DRAWING: _____